

Switch IP67 Fast Ethernet 5 ports 10/100Base-TX

General

Ethernet is an international standard that has been proven in millions of applications worldwide, ensuring the compatibility of components from various vendors. The IP protocol has already left the in-house environment and is using also in harsh environments (industrial solutions). What is more the integration of the industrial network with the data network is easily done without protocol conversion.

MICROSENS provides a Fast Ethernet switch complying with IP67 protection class in order to fulfill the extreme demands in the industrial environment. This type of protection guarantees complete dust containment, resistance to sprayed water and to jets of water as well as resistance to temporary submersion in water.

The switch is designed for the use in all indoor and outdoor applications. An adapted working environment in terms of humidity and temperature is not necessary. The switch can be installed closer to the relevant application and a special technology in order to protect the housing is not required any more. Working temperatures range widely from -40 to +70 °C. The compact IP67 switch has 5x Fast Ethernet ports with 10/100Base-TX. All connectors are provided with the M12 technology.

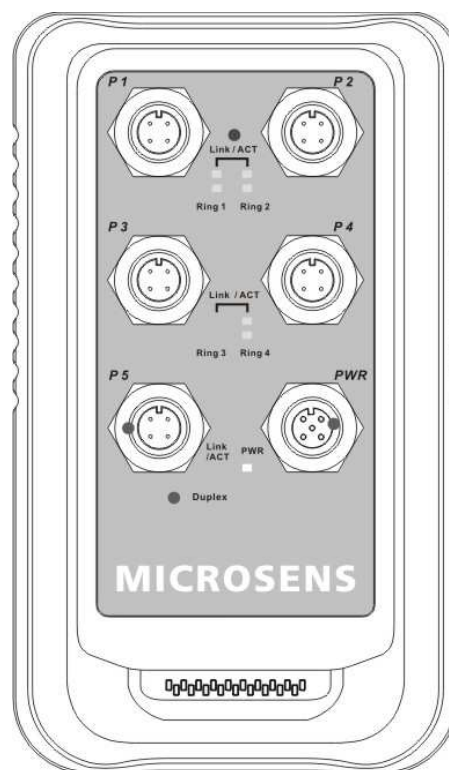


Fig. 1: IP67 Switch

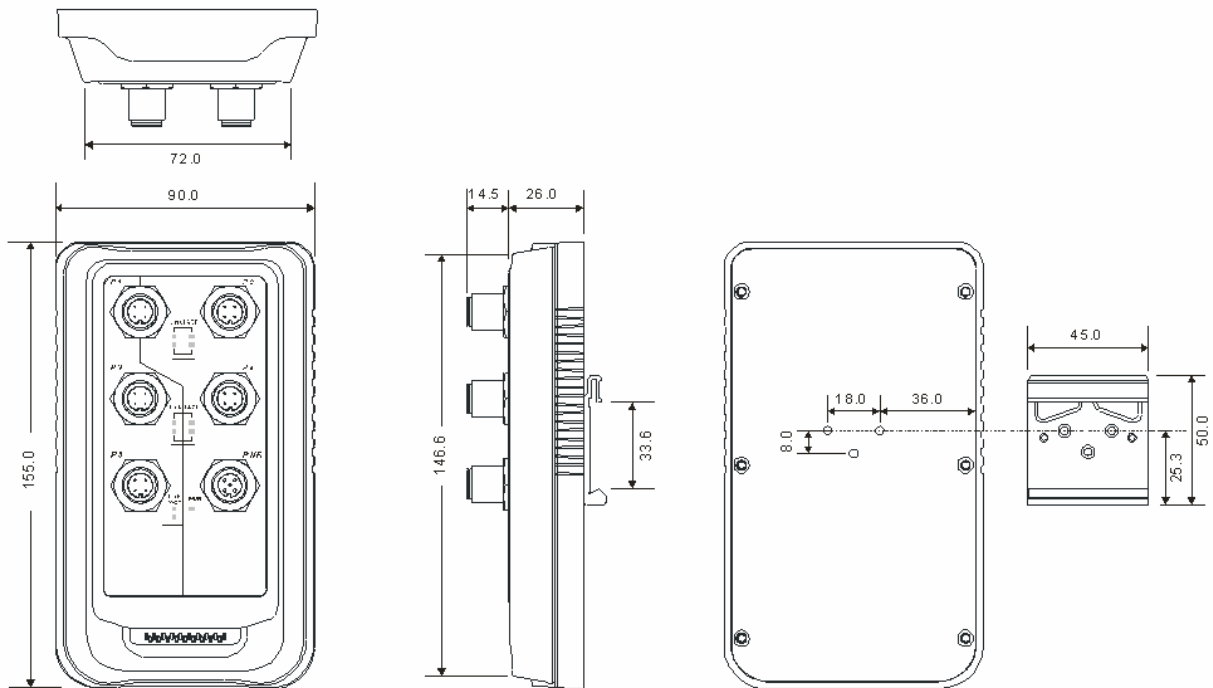
Features

- Supports 5 ports 10/100 Base-TX in M12 connector
- Extended operating temperature range from -40°C to 70°C ready
- Environmentally sealed by IP67 grade protection and ultra rugged enclosure for toughest industrial usages
- DIN-Rail mounting enabled

Technical specifications

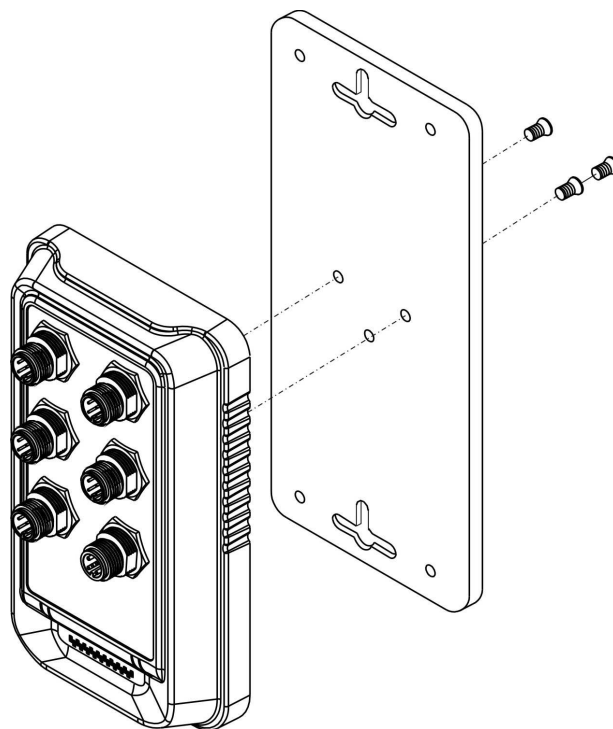
Type	Fast Ethernet IP67 switch with 5x 10/100 Base-TX in M12 connector
Connector	M12 Waterproof 10/100T: 5 ports
Ethernet Standards	IEEE 802.3 for 10BaseT, IEEE 802.3u for 100BaseTX IEEE 802.3x for Flow control
Processing	Store-and-Forward
LED displays	Power / Ready indicator: Green - Ready LED x 1, 10/100TX port indicator: Green for port Link/Act. Amber for duplex indicator
Mounting	35 mm hat rail, according DIN EN 50 022 and wall mount
Input power	9~ 30 VDC voltage power input
Power Consumption	3 W
Overload current protection	present
Reverse polarity protection	present
Dimensions	90 x 40,5 x 155 mm (w x d x h)
Weight	470g
Enclosure	IP-67
Operating temperature	-40°C to 70°C
Storage temperature	-40°C to 85°C
Rel. humidity	5% to 95% non condensing
EMI	FCC part 15, EN61000-4-2, EN61000-4-3, EN-61000-4-4, EN61000-4-5, EN61000-4-6, EN61000-4-8, EN61000-4-11
Safety	EN60950
Stability Testing	IEC60068-2-32 (Free fall), IEC60068-2-27 (Shock), IEC60068-2-6 (Vibration)

Dimension

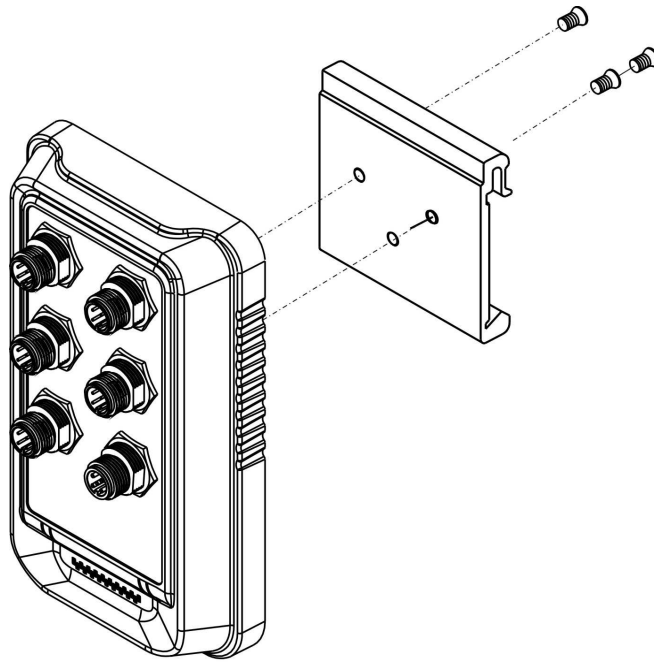


Installation

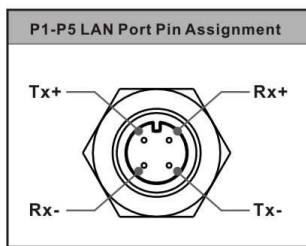
Wall-mounted Install Step



Din-Rail Install Step

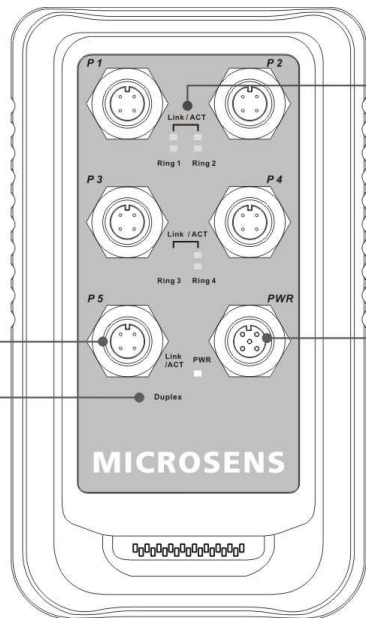


Front Panel



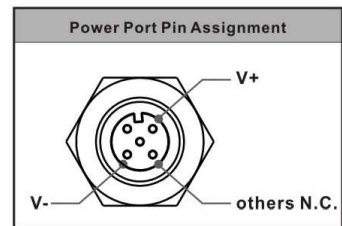
10/100 LAN Port (A-coding)

Duplex LED



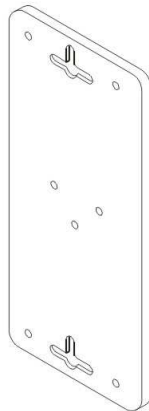
LAN Port LNK/ACT LED

Power

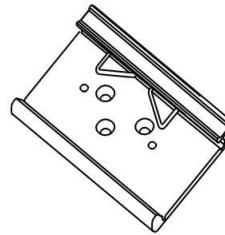


Accessory

① Wall-mounted kit



② 66mm DIN-Rail kit



③ Screw (M3 X5)



Order Information

Art.-No.	Description	Connectors
MS655315	5 Port Fast Ethernet Industrial Switch IP67 5x10/100TX, 5x M12 connector, -40..70°C	5x M12

MICROSENS reserves the right to make any changes without further notice to any product to improve reliability, function or design. MICROSENS does not assume any liability arising out of the application or use of any product. 2310/pp

www.microsens.com